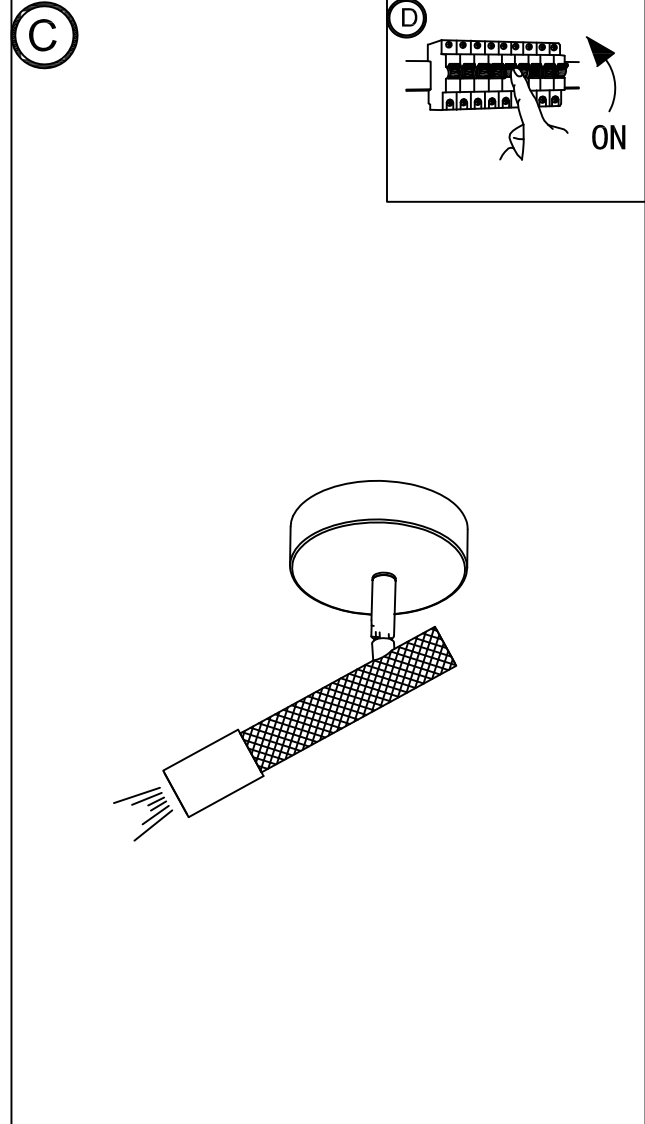
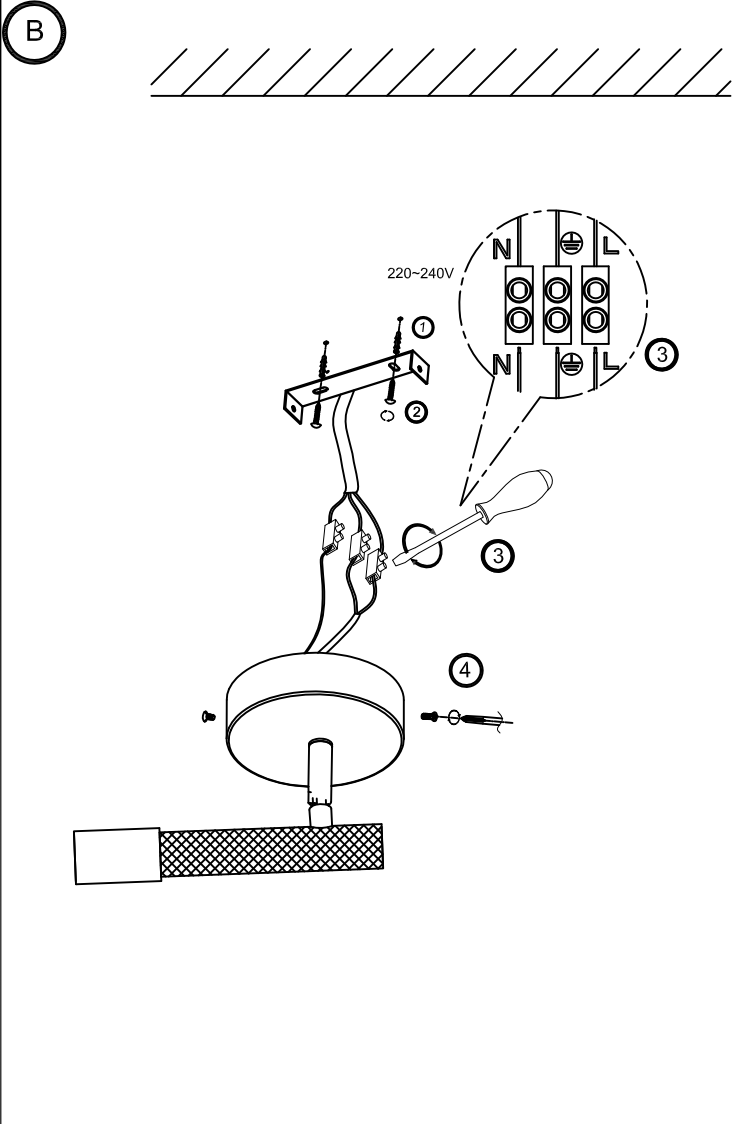
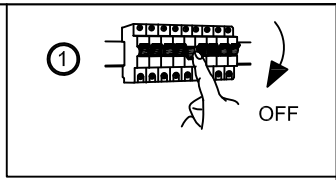
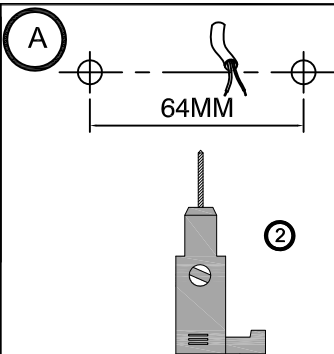
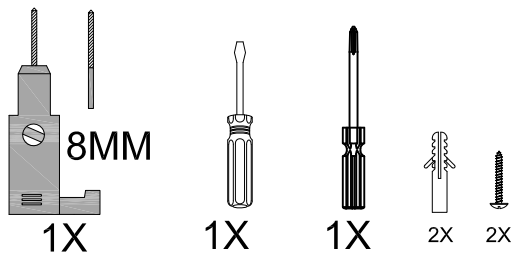
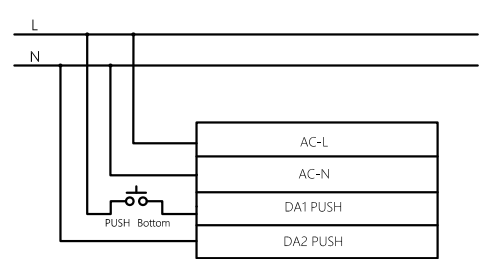


REF.: T1297/NEG
T1297/ORONEG

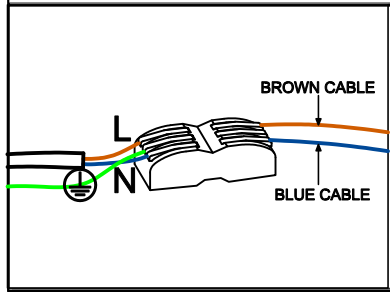
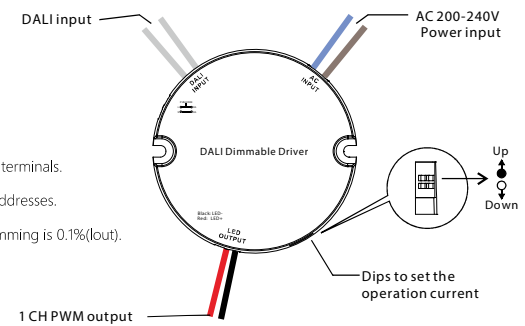


■ Wiring Instruction of the Push Dimming



■ Operation Instructions of DALI Dimming

- Factory default setting is of 100% brightness.
- Connect the DALI signal to the DA1 and DA2 terminals.
- DALI protocol includes 16 groups and 64 IP addresses.
- The minimum dimming depth of the DALI dimming is 0.1%(out).



Solo par uso en interiores / Indoor use only

Fuente de luz NO reemplazable / Light source NON-replaceable

aromas

