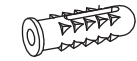
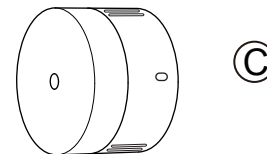
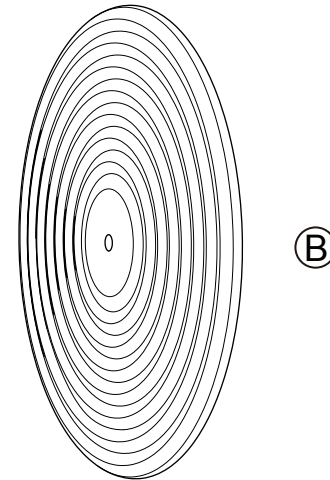
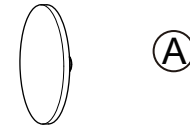
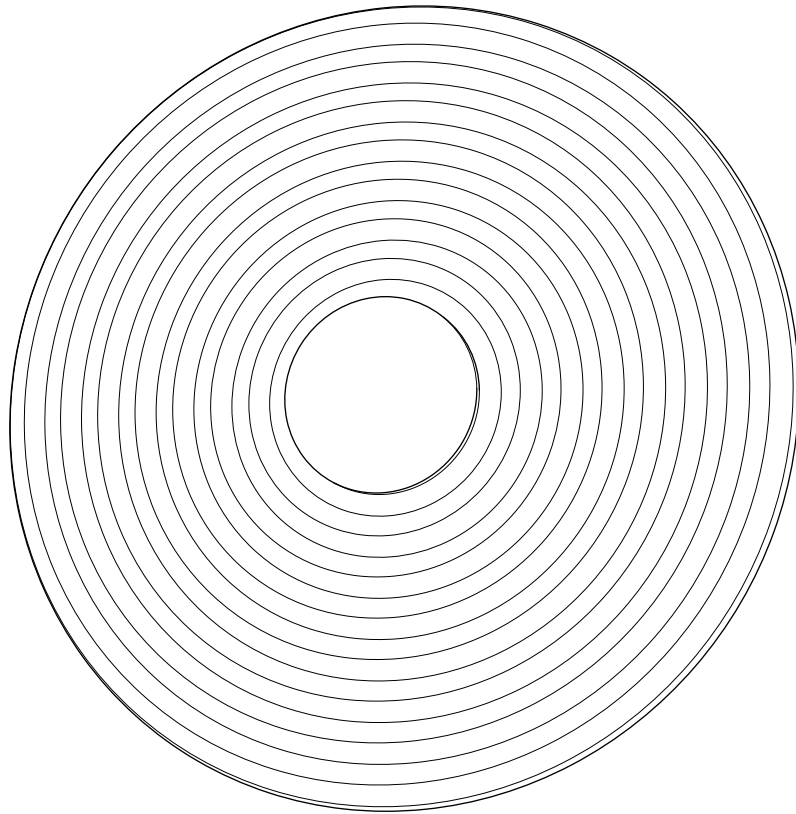
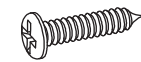


aromas ASSEMBLY INSTRUCTIONS

A1199



ⓓ x 2



ⓔ x 2



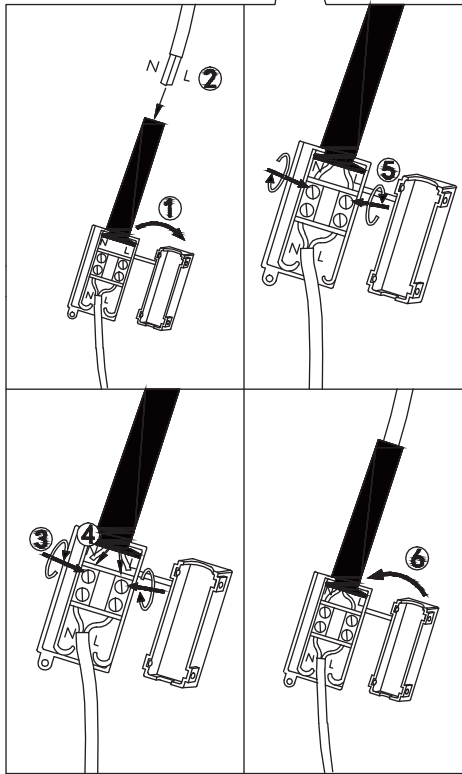
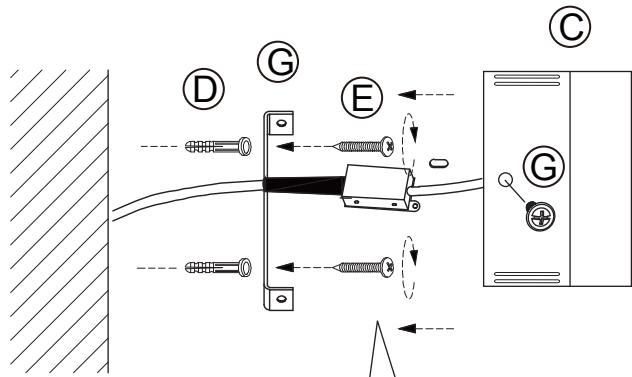
ⓕ x 2



ⓖ

Caution : If the external flexible cable or cord of this luminaire is damaged, it shall be exclusively replaced by the manufacturer or its service agent or a similar qualified person in order to avoid a hazard.

1



2

